

ObstiVision XGP500

XGP500 1xLED-K2/RD 100-240V



XGP500 - 1 pc - LED LUXEON® K2 - Red - 100 to 240 V

The ObstiVision LED is a dedicated maintenance-free obstacle light for aviation warning purposes and features LUXEON® K2 LEDs. Its advanced high-power LED with optimized optical design is able to create a reliable system based on only one single LED. It is suitable to be used as a Low Intensity, Type A obstacle light according to ICAO standards. The key applications are telecom towers, buildings, power transmission towers, airports and general aviation warning purposes. The efficiency, reliability and freedom from maintenance mean that ObstiVision will save you money over time! Considering the cost of ownership, you can have your payback period as short as one year by using ObstiVision as compared to the conventional obstruction lighting system.

Product data

• General information

Product family code	XGP500 [XGP500]
Number of lamps	1 [1 pc]
Lamp family code	LED-K2 [LED LUXEON® K2]
Lamp color code	RD [Red]
IP code	IP66 [Dust penetration-protected, jet-proof]

• Electrical

Supply voltage	100-240 V [100 to 240 V]
----------------	--------------------------

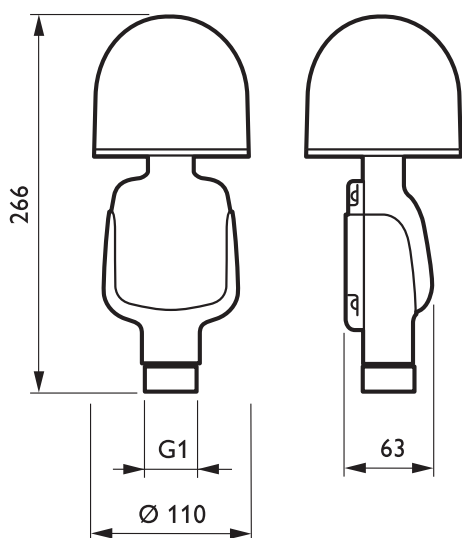
• Product Data

Order code	911400667880
------------	--------------

Full product code	911400667880
Full product name	XGP500 1xLED-K2/RD 100-240V
Order product name	XGP500 1xLED-K2/RD 100-240V
Pieces per pack	1
Packs per outerbox	1
Bar code on pack - EAN1	0000000000000
Bar code on outerbox - EAN3	0000000000000
Logistic code(s) - 12NC	911400667880
Net weight per piece	1.175 kg

IP66

Dimensional drawing



XGP500



© 2012 Koninklijke Philips Electronics N.V.
All rights reserved.

Specifications are subject to change without notice. Trademarks are the property of Koninklijke Philips Electronics N.V. or their respective owners.

www.philips.com/lighting

2012, March 7
data subject to change